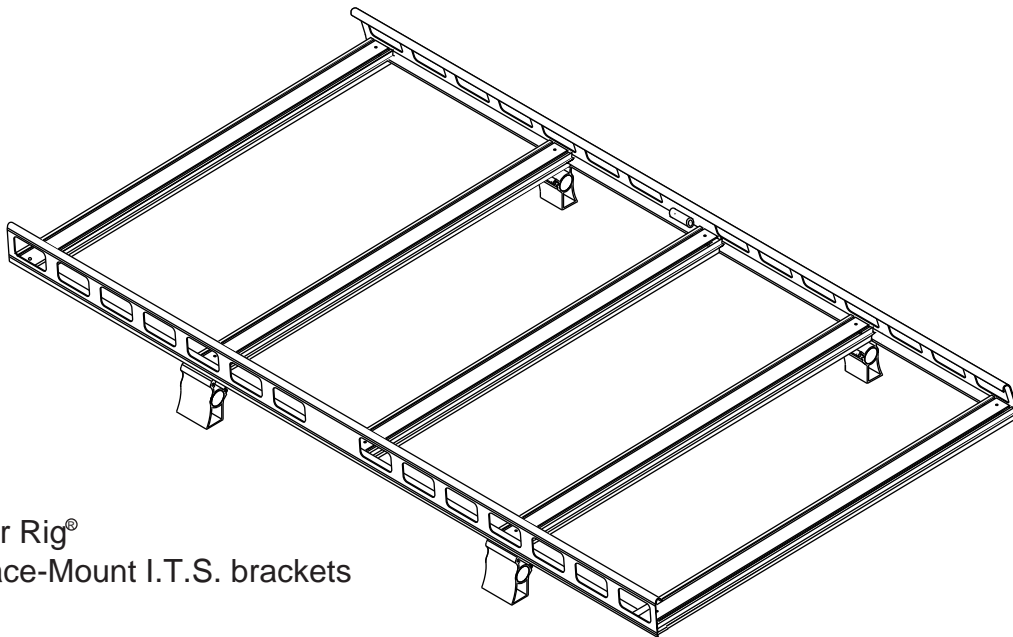


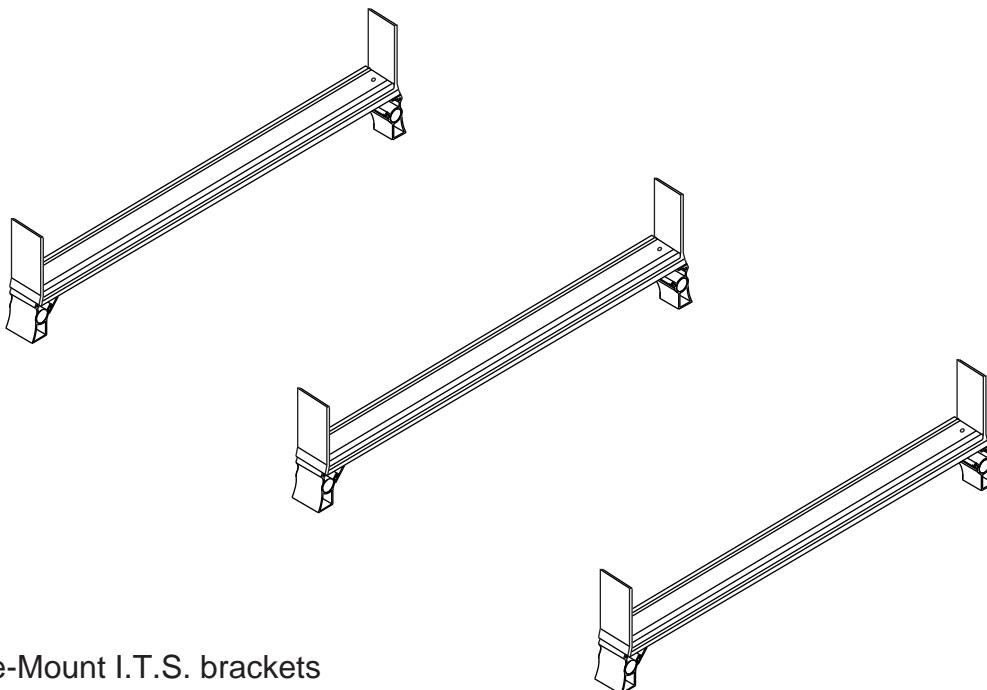
SURFACE-MOUNT I.T.S.SM BRACKETS

Surface-mount brackets are installed in exactly the same way as van brackets as outlined in Van Rack Assembly and Instructions.

Caution: It is recommended that both the Contractor Rig and Utility Rig be mounted to Utility Traks for more rigidity and better weight distribution. Roof construction varies on truck bodies and must be taken into consideration when installing racks on them. Provided the roof has sufficient structure overall for a rack and its cargo, the next aspect to consider is to make sure the rack can be anchored properly to the roof. If the surface itself is structural (ie. 14 ga. steel) the rack may be mounted almost anywhere on the surface. If the roof has a thin aluminum skin laid over structural ribs, the rack assembly must be anchored to the ribs.



Contractor Rig[®]
with Surface-Mount I.T.S. brackets



Utility Rig[®]
with Surface-Mount I.T.S. brackets